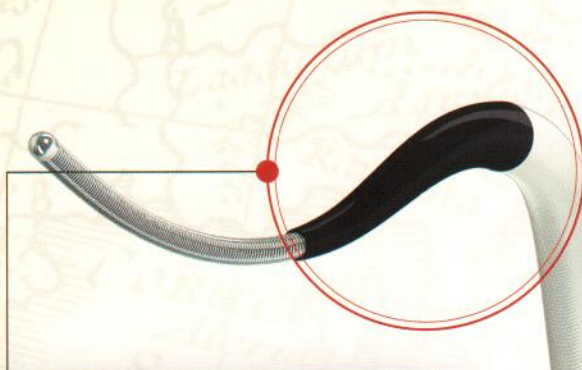


ASAHI Caravel

ASAHI Caravel

A versatile microcatheter that completes the simple and simplifies the complex.



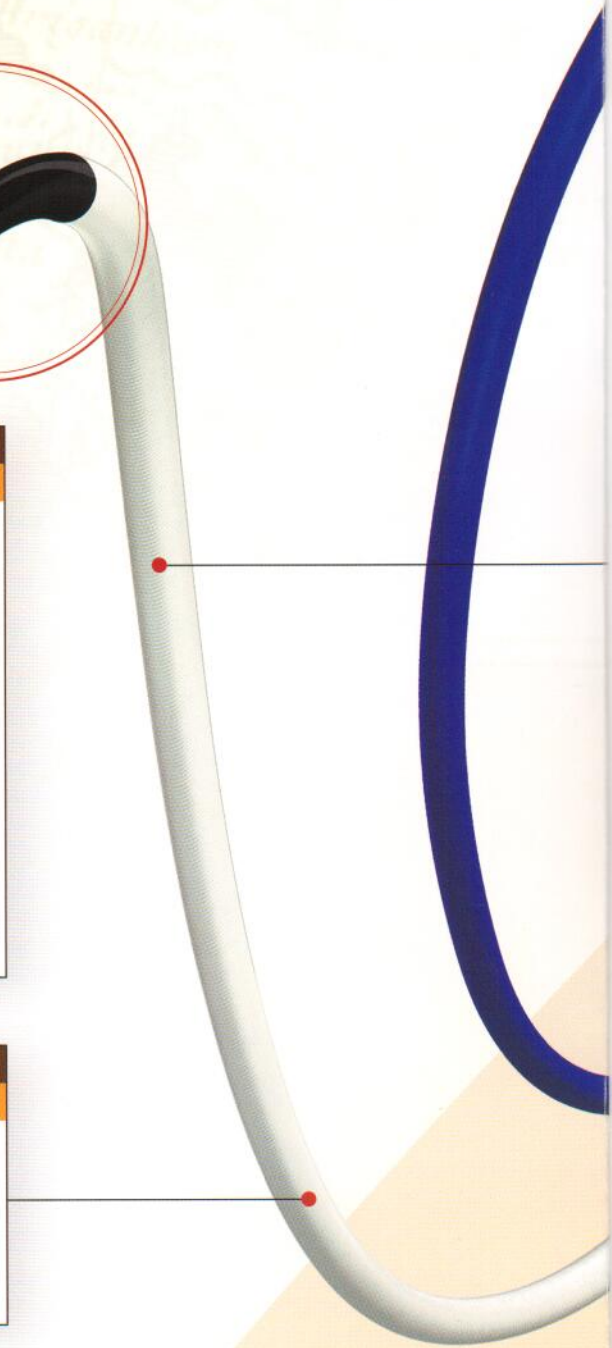
Ultra Low Profile Tip

- Tip tapers to 0.48 mm (0.019" (1.4 Fr))
- Exceptional tip flexibility
- Smoothly tracks into tortuous anatomy



Low Profile Microcatheter

- Excellent crossing profile : 0.62 mm (1.9 Fr)
- Low profile design to cross microchannels
- 2 Caravel fit in a 6Fr guide catheter





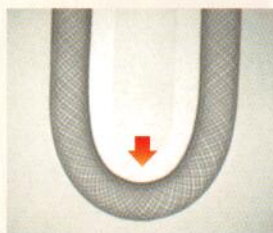
ACT ONE Precision Braided Shaft

- Unique braiding delivers best-in-class flexibility
- Precision engineering ensures unmatched performance in tortuous anatomy

Internal Lumen Integrity

- Enhanced resistance to kinking in tortuous anatomy
- Facilitates optimal guidewire performance

ACT ONE Maintains Inner Lumen



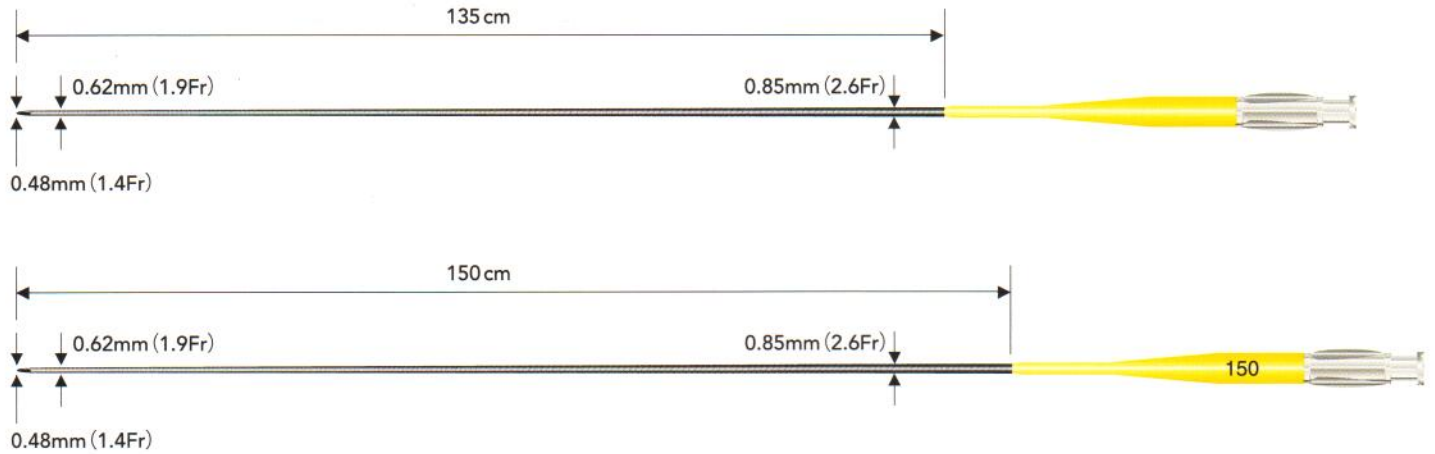
ASAHI Caravel



Competitor "A"

ASAHI Caravel microcatheter is advanced by pushing, not rotating.

Structure & Ordering Information



Product	Catalog No.	Outer Diameter			Inner Diameter		Length	Hydrophilic Coating Length
		Tip	Distal Shaft	Proximal Shaft	Tip	Shaft		
ASAHI Caravel	CRV135-19P	0.48mm (1.4Fr)	0.62mm (1.9Fr)	0.85mm (2.6Fr)	0.40mm (0.016inch)	0.55mm (0.022inch)	135cm	70cm
	CRV150-19P	0.48mm (1.4Fr)	0.62mm (1.9Fr)	0.85mm (2.6Fr)	0.40mm (0.016inch)	0.55mm (0.022inch)	150cm	85cm

Indications for Use

This microcatheter is intended to provide support to facilitate the placement of guidewires in the coronary and peripheral vasculatures, and can be used to exchange one guide wire for another.

This microcatheter is also intended to assist in the delivery of contrast media into the coronary and peripheral vasculatures. Do not use this microcatheter other than for use in the coronary and peripheral vasculatures.

CE 0344

© 2016 ASAHI INTECC CO., LTD.

ASAHI, *Caravel* and *ACT ONE* are trademarks or registered trademarks of ASAHI INTECC CO., LTD. in Japan and other countries.

Manufactured by:

Distributed by:

 **ASAHI INTECC**

ASAHI INTECC CO.,LTD.

3-100 Akatsuki-cho, Seto, Aichi 489-0071 Japan

Contact phone number: +81-561-86-9101

<http://www.asahi-intecc.com>