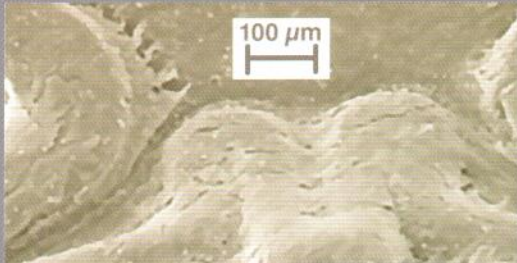
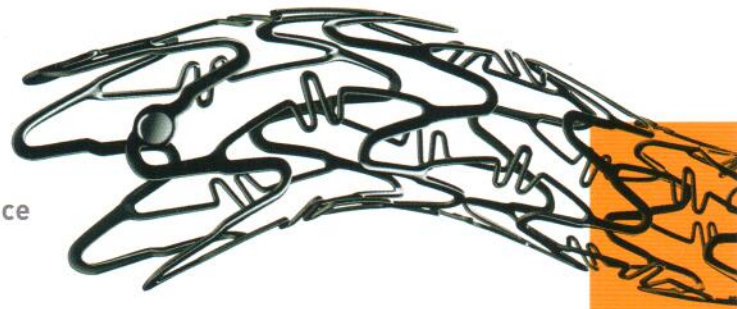


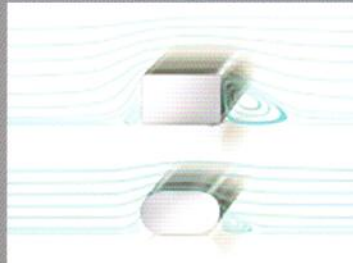
# Avantgarde™

BIOINDUCER SURFACED  
COBALT CHROMIUM CORONARY STENT

Cobalt chromium coronary stent with Bio Inducer Surface technology allowing a complete and faster stent strut endothelialization.



- Proven bio and haemo-compatibility enabled by the Bio Inducer Surface coating, which accelerates the rate of endothelialization and reduces thrombogenicity



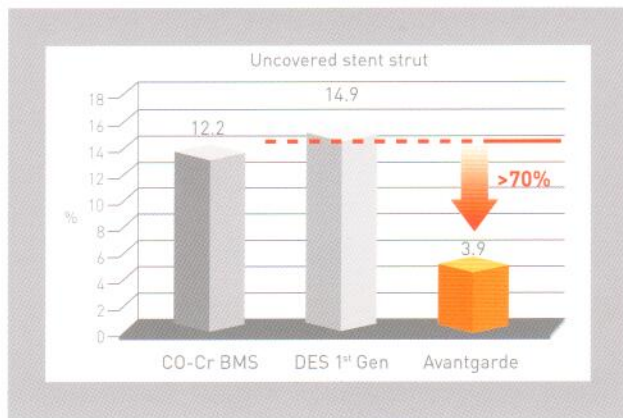
- Newly engineered stent struts improve blood flow dynamics



- Platinum markers at stent edges allow unmatched visualization and placement accuracy

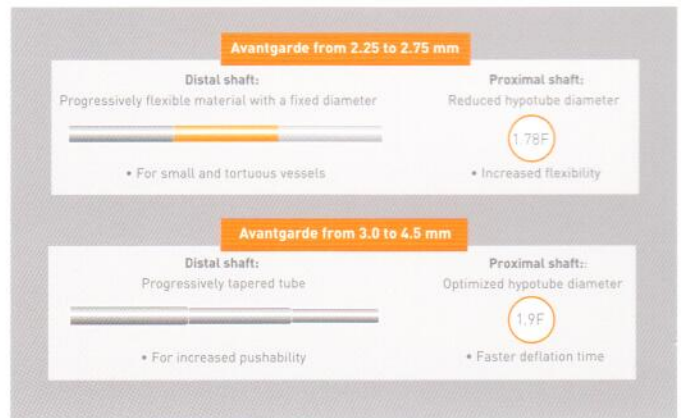
## Only 3.9% uncovered struts after 4-7 days

(over 11.000 stent struts analyzed)



## Optimized delivery system

for improved deliverability



## No prescription on DAT duration\*



\*Product IFU

## Approved for use in AMI\*

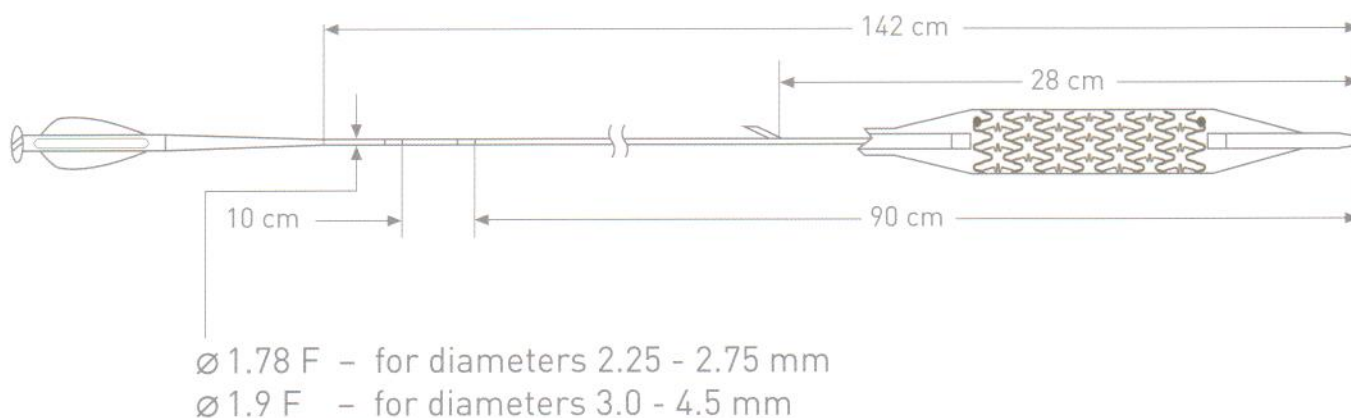
\*Product IFU

# Avantgarde™

## BIOINDUCER SURFACED COBALT CHROMIUM CORONARY STENT

### TECHNICAL DATA

CORONARY STENT	
Stent material:	L605 Cobalt Chromium alloy
Strut thickness:	70-80 µm
Strut surface coating:	Bio Inducer Surface
2 radiopaque platinum markers at stent ends	
No stent foreshortening during expansion	
DEVICE SPECIFICATIONS	
Guiding catheter compatibility:	5F
Guidewire compatibility:	0.014"
Nominal Pressure (NP):	9 atm
Rated Burst Pressure (RBP):	18 atm



### ORDER INFORMATION AVANTGARDE™

Ø (mm)	L (mm)	7	8	12	16	20	24	25	31
2.25		ICV9601		ICV9602	ICV9603	ICV9604	ICV9605		
2.50			ICV9606	ICV9607	ICV9608	ICV9609		ICV9610	
2.75			ICV9611	ICV9612	ICV9613	ICV9614		ICV9615	
3.00			ICV9616	ICV9617	ICV9618	ICV9619		ICV9620	ICV9621
3.50			ICV9622	ICV9623	ICV9624	ICV9625		ICV9626	ICV9627
4.00			ICV9628	ICV9629	ICV9630	ICV9631		ICV9632	ICV9633
4.50				ICV9634	ICV9635	ICV9636		ICV9637	ICV9638

[www.alvimedica.com](http://www.alvimedica.com)

Please contact your local sales representative for product availability. Not for sale in the USA and Japan.

The images shown within this document are of a purely illustrative nature and are not intended to depict reality.

Please consult product labels and package inserts for indications, contraindications, hazards, warnings, cautions and instruction for use.

Manufactured by: CID S.p.a., Strada per Crescentino, sn - 13040 Saluggia (VC) Italy  
 ©2014, Alvimedica. All Rights Reserved.

 **Alvimedica**

back to life!